

DP series Insertion Pelton wheel flowmeters

The DP490 & DP525 insertion pelton wheel flowmeters are cost effective stainless steel flowmeters for measuring the flow of water, fuels & other low viscosity liquids in pipe sizes from 1.5" to 100" (40~2500mm).

Insertion flowmeters are installed with the metering head inserted into the pipe resulting in very little pressure drop. They do not require external power when used with the Flomec rate totalisers however some options such as high temperature & non-magnetic models require external power.



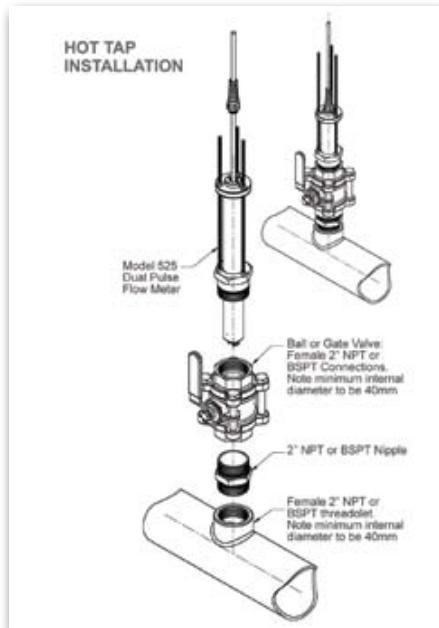
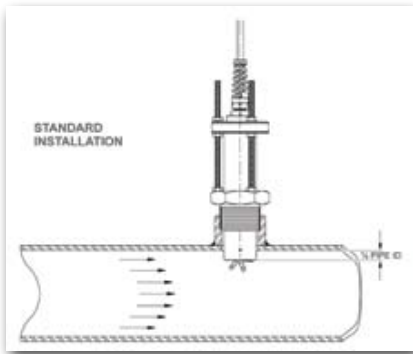
- Insertion design for pipes up to 100"
- 'Hot tap' option
- 0.25 to 49,000 l/sec flow range
- IP68 Submersible construction

Technical Information

	DP490	DP525
Suit pipe sizes	40~900mm (1.5"~36")	50~2500mm (2"~100")
Pipe connection	1.5" BSP or NPT	2" BSP or NPT
Flow range	0.25~6300 litres/sec (4~99600 USGM)	0.4~49000 litres/sec (6~78000 USGM)
Flow velocity range	0.3 ~ 10 meters/sec	
Linearity	typically ± 1.5% with well established flow profile	
Temperature range	-40°C ~ +100°C 200 max.	
Maximum pressure	80 bar	
Materials	316SS body & rotor shaft, PVDF rotor	
*Reed switch	30Vdc x 200mA max. Nom. 0-80hz	
Hall effect	3 wire NPN, 5~24 Vdc, 20mA max. Nom. 0~240hz	
Voltage pulse	self generated voltage. Nom 0~240hz	
Intrinsically safe coil	self powered, generates 15~3000mV	
High temperature coil	self powered, 200°C (390°F) max.	
Non magnetic sensor	3 wire NPN, 5~24Vdc, 20mA max. Nom. 0~240hz	
Analogue	loop powered 4~20mA	

* maximum thermal shock 10°C (50°F) /min applies to the reed switch

Installation examples



Recommended Instruments: FBT11, FRT12, FEB10

DP series Insertion Pelton wheel flowmeters

Options & Ordering Information

